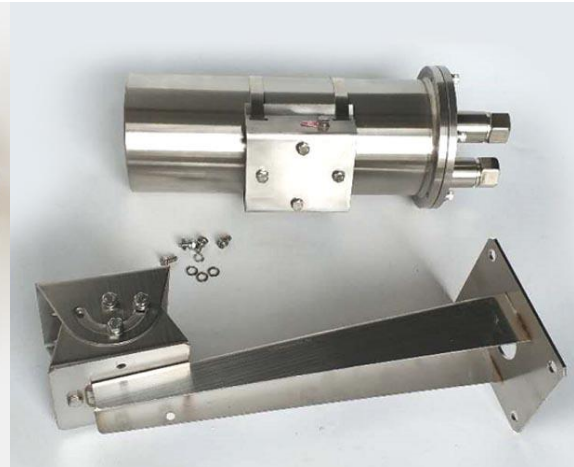


Explosion-proof Camera Cover Instruction for use



Size:355*139*145MM

Weight:5KG



Summary

Explosion-proof camera and all-weather riot shield is adhering to the German gap principle and method of using clearance flame-proof structure, according to the GB3836.1-2010 "explosive gas environment condition electrical equipment part 1: applicable requirements and GB3836.2-2010" explosive gas environment condition part 2: electrical equipment flameproof: d and GB12476.1-2010.1-2010 "the combustible dust environment using electrical equipment part 1: use outside the camp and limit surface temperature protection of electrical equipment section

1: the technical requirements for electrical equipment, such as standard design and manufacture.

For structural design in full consideration of all kinds of special circumstances, when a spark inside the equipment does not cause equipment external explosion of explosive mixture, and from the shell strength and joint clearance, length of shell parts and measures to limit the highest temperature of outer covering, etc, to ensure that the explosion protection performance.

Cover the introduction of the device adopts the gland nut method, observation window USES toughened glass, can withstand the shock and thermal upheaval test, the shell surface temperature shall not exceed 85 °C high temperature. Shell can withstand the GB3836.2-2010 regulation after finishing the test water pressure test, test pressure of 1.5 mpa, over 10-12 s, and do not drop and structure deformation of qualified, the shell material made of stainless steel 304, good corrosion resistance.

Suitable for explosive gas and combustible dust environment. Widely used in petroleum, chemical, aerospace, aviation, navigation, military industry, traffic (dangerous truck, bus, fire engines, train), storage, coal mine, mine, port, fireworks and other fields.

I. Using the environment:

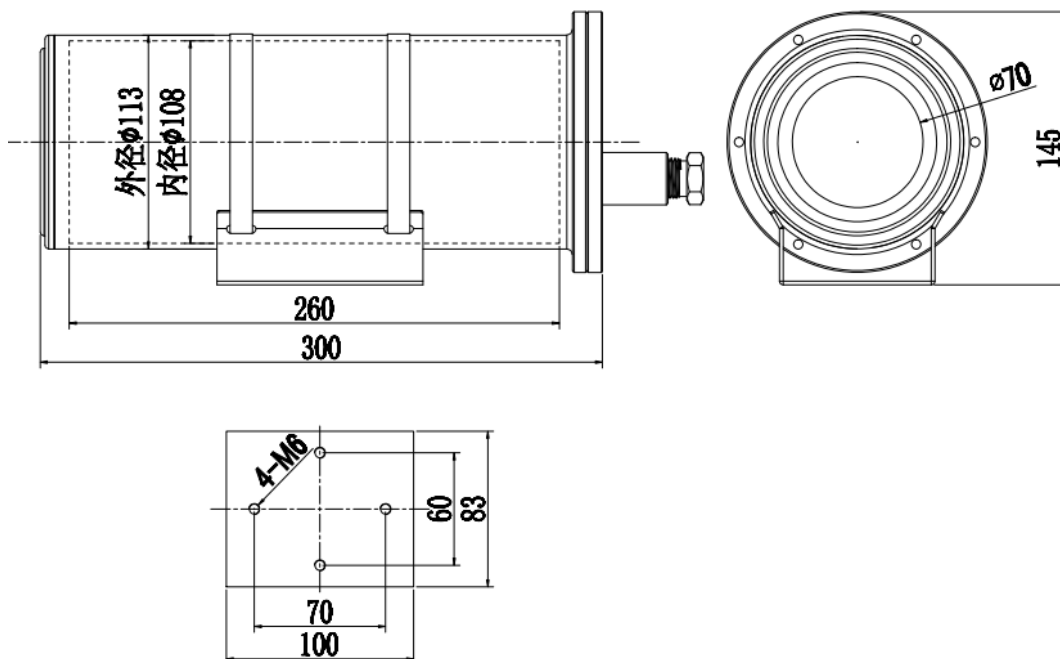
- 1、 Air pressure : 86kpa~106kpa
- 2、 Temperature : -20°C~+60°C -45°C~+60°C (with heater, when - 10 °C + 5 °C)
- 3、 Relative humidity : ≤95%RH(+25°C)

II. Main technical indicators

- 1, explosion-proof marks: - Exd II CT6 Gb DIP A20 TA, T6 // Exd I Mb
- 2, protection grade: IP66
- 3, working voltage : DC12V/AC24V/AC220V
- 4, working current: < 3 a

III、 Installation and use method

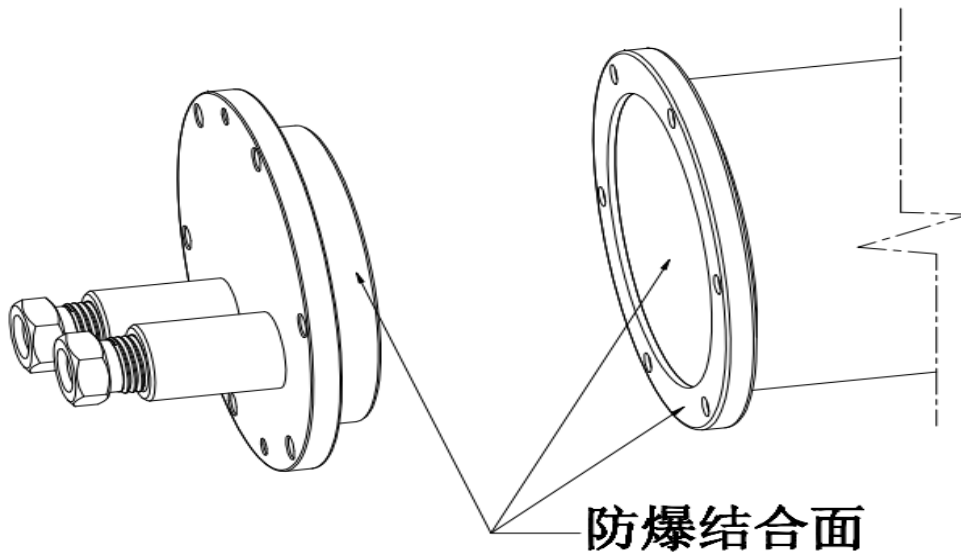
- 1, explosion-proof all-weather camera cover shape dimension and installation size see (Fig. 1), installation mode for electric cloud head, fixed support.
Inner cavity size (Φ 108n 260mm, window Φ 70mm, weight about 5.5 KG, outlet hole thread specification G-3 / 4)



Picture 1

As shown in the figure below, the rear cover and the back side of the cylinder are all explosion-proof joints. No bruising or scratching shall be allowed during installation.

As shown in the figure below, the rear cover and the back side of the cylinder are all explosion



Dimensions :

