

10/100M PoE Extender 15.4W (ASIT-PD3102)

10/100M PoE Extender 15.4W



- ◆ Supply power to IP network cameras through Cat5e cables (PoE)
- ◆ Compatible with IEEE 802.3af
- ◆ Support 10/100M data transmission through RJ45 port, Anti-thunder for power input port.
- ◆ Transmission Distance: 100M (200m through UTP cable)
- ◆ High performance in heat dissipation. Light weight.
- ◆ Anti-thunder & Anti-Surge for NTBA

Product Description

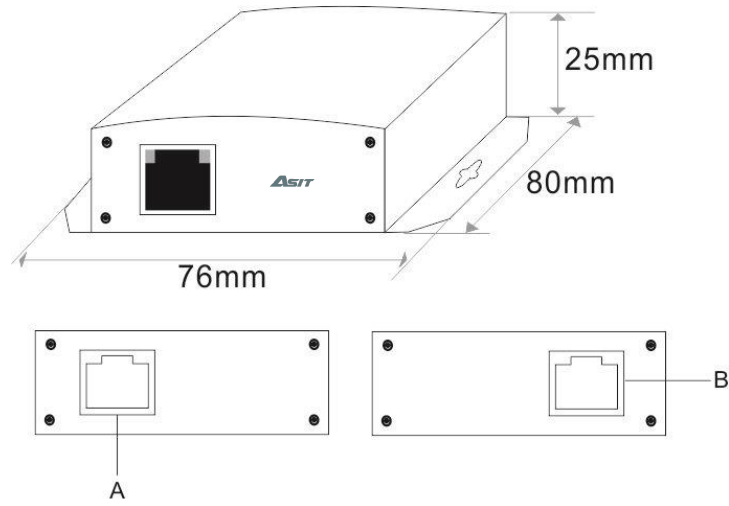
ASIT-PD3102 is a simple device which can extend the 100m standard data transmission to 200m through CAT5e / 6 UTP cable, by just plug and play but no additional power supply or set up required. It offers you great flexibility to extend the distance of PoE network to triple, quadruple further in length or more. And this device supports forwards both Ethernet data and PoE power to remote devices

For the cost saving and power management purpose, the ASIT-PD3102 can be widely used for City intelligent traffic monitoring system (ITS), safe city, and wireless city; large industrial factory & enterprise security surveillance system; Highway surveillance system, electronic road surveillance, snapshot system; Remote multimedia teaching & campus surveillance, video conferencing systems; Building intercom, wireless communications, video surveillance.

Specification Technical

Product Name	10/100M PoE Extender 15.4W
Model	ASIT-PD3102
Description	10/100M PoE extender, extends the data transmission from 100m to 200m
Network Protocols and Standards	IEEE 802.3i 10BASET IEEE 802.3u 100BASET IEEE 802.3x Flow Control IEEE 802.1af DTE Power via MDI IEEE 802.3af
Network Medium	10BASE-T: 3, 4, 5 UTP cable (≤100 meter) 100BASE-TX: 5 or more UTP cable (≤100 meter)
Fundamental Function	Compatible with IEEE802.3af, both for PSE& PD. End-span: 1/2, 3/6 (Default) Mid-span: 4/5, 7/8 (Optional) Plug and play, no need for any setting. MTBF: 190,000 hours
Transmission rate	10/100Mbps
Port Description	1x RJ45 PoE input port; 1x RJ45 PoE output port
LED Indicator Status	POE input indicator; PD output indicator
Dimension/Weight	Dimension(LxWxH): 80X76X25mm; 0.15kg
Environment	Operating temperature: 0 to 55° C Storage temperature: -20 to 75° C Working/ Storage Humidity: 10%~90%, non-condensing
Radiation	POE: IEEE802.3af POE Port Power: 15.4W(IEEE802.3af)
Certification	CE Mark ,commercial, FCC Class, RoHS
Warranty	1 year warranty
Package List	POE Extender, User Guide, Warranty Card

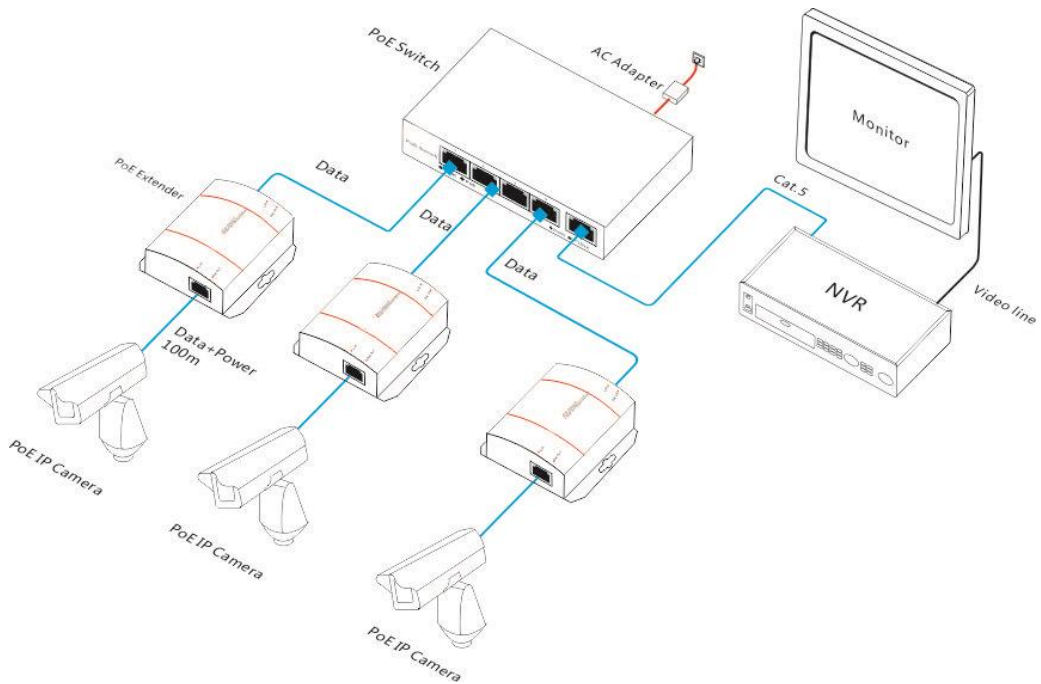
Product Size Display



A. PoE Input RJ45port

B. PoE Output RJ45port

Product Application Display



Product Ordering Information

Model : ASIT-PD3102

Description :

10/100M PoE Extender; 1x RJ45 input port; 1x RJ45 PoE output port; 15.4W(IEEE802.3af); extends the data transmission from 100m to 200m

Product Packing Lists

Ordering Note: End-span (1/2+, 3/6-) is as default. Mid-span (4/5+, 7/8-) can be customized

Package List	10/100M PoE Extender 15.4W (ASIT-PD3102)
	User Guide
	Warranty Card